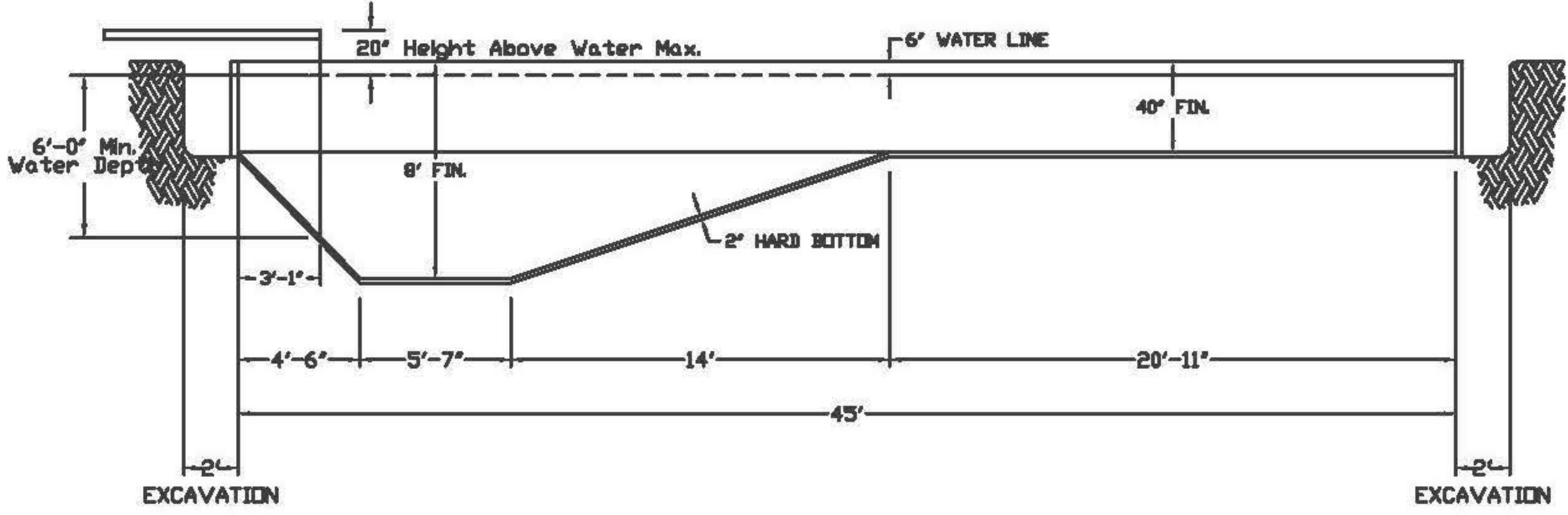


STAKE OUT	
A-C	59'-7 5/8"
A-E	34'-7 7/8"
B-D	41'-7 3/8"
B-E	33'-11 1/4"
B-F	54'-6 3/4"
C-E	26'-0"

Polymer pool kits have maximum 6' panel length

### N.S.P.I. TYPE II DIVING



**Classic Series**  
 RoyalSwimmingPools.com  
 877-602-7067

20x45x30 SQUARE-L Right		
DRAWN BY: NM	Revisions	PER: 144' -10"
DATE: 02/02/2007	1	S.A.: 1096.566 ft <sup>3</sup>
SCALE: NTS	2	VOL:
DRAWING NUMBER:	APPROVED:	
ALP2045RSL207		